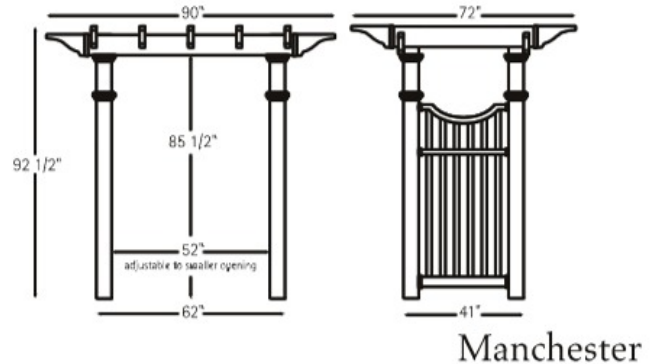




The Manchester Arbor



An entrance fit for royalty. The Manchester Arbor has been given special attention, and the rustic New England pergolas were the inspiration for this beautiful flat top arbor. Airy side panels off a true custom look and feel.

- Pergola Width: 90" (outside dimension)
- Pergola Depth: 41"
- Pergola Height: 85 1/2"(inside)
- Pergola Height: 92 1/2" (outside)
- Pergola Post Size - 5" x 5"
- There is no in ground allowance for this structure
- Color: White

- >Made of advanced high grade polymers
- >Virtually maintenance free
- >Withstands extreme weather
- >Easy installation
- >Won't crack, split or mildew
- >Unaffected by chemicals or sea air
- >Non toxic



- Item #VA93228
- Delivery Included, No Handling Costs, No additional charges!
- Shipping: Kit format - UPS Ground in 3 boxes

Obtaining necessary permits is the sole responsibility of purchaser. Customers agree to hold ScreenHouses Unlimited and manufacturer free of any liability for improper installation, maintenance and repair.

All Prices in US\$ — FREE Delivery in continental USA
No hidden costs — No handling fees — No silly fees



We accept VISA, MasterCard and PayPal payments
OR get a 5% discount by sending a Certified Check.
Please note special or custom orders not returnable.

For Information or to order
CALL (800) 922-4760



Some Frequently Asked Questions



Can there really be an arbor that's truly maintenance free?

Yes! These high quality vinyl Arbors & Trellis' provide *total freedom from maintenance*. They *never* need painting, staining, or sealing to keep their exceptional good looks. They won't fade or yellow and have been field proven to maintain their color. And they will not crack, split, warp or peel like wood or corrode like metal arbors.

Our vinyl arbors will withstand the sizzling heat of Arizona as well as the frigid air of the Alaska with no problems. Our name says it all - *Quality that lasts a lifetime*.



What is the difference?

Designed for the more discriminating homeowner, the difference is all in the details. Combining exclusive architectural features with the timeless beauty of tradition, whichever Vinyl Arbor or Trellis you choose is designed and manufactured to bring you pleasure season after season, year after year.

Are they easy to install?

Complete, illustrated instructions make the installation fast and simple. Installing our Arbors or Trellis' requires *absolutely no special skills, procedures or tools*.

Will I get the look I want?

Our Arbors & Trellis' are offered in three distinctive styles to compliment virtually any architecture, and the arbors semi-gloss finish perfectly captures the look of fine painted wood. Our Arbors & Trellis' add eye appeal to any application.

Obtaining necessary permits is the sole responsibility of purchaser. Customers agree to hold ScreenHouses Unlimited and manufacturer free of any liability for improper installation, maintenance and repair.



We accept VISA, MasterCard and PayPal payments
OR get a 5% discount by sending a Certified Check.
Please note special or custom orders not returnable.

Will the finish yellow?

Yellowing in plastic products is due to the sun's ultraviolet rays. Our products contain an industry leading 8 to 10 parts per 100 of titanium dioxide (TiO2), which is an extremely effective UV inhibitor. This amount of TiO2 is more than enough to prevent breakdown and yellowing from the sun's ultraviolet rays.

Are these units cost effective?

You bet! They are significantly less in cost to comparable wood or steel systems, and when you factor in maintenance costs inherent with conventional arbors, our vinyl Arbors & Trellis' come out way ahead.

Are these units environmentally friendly?

Our vinyl is safe and non-toxic. It doesn't contain lead or require the heavy metals and dangerous chemicals needed to treat and maintain wood. It's environmentally safe, and because lumber isn't used trees are left standing. There aren't any chemicals used that might contaminate your yard, and our vinyl doesn't break down when exposed to soil, groundwater or the elements.



All Prices in US\$ — FREE Delivery in continental USA
No hidden costs — No handling fees — No silly fees

**For Information or to order
CALL (800) 922-4760**