



Two inch (2") Porch Screening System | Extruded Screen Walls Only Kit Installation Guidelines



Tools You'll Need

- ☑ 4 ft. Carpenter's level
- ☑ Chalk line (to mark "U" channel locations)
- ☑ Chop saw with a metal cutting blade on it (required to make accurate and precision cuts)
- ☑ Cordless drill/nut driver
- ☑ Masonry bits for drilling into concrete; masonry fasteners (if necessary)
- ☑ Caulking gun
- ☑ Metal file (to smooth cut edges)
- ☑ Hammer, Screwdrivers, Drill, tape measure
- ☑ Box knife
- ☑ Gloves
- ☑ Safety eye-wear



1.800.922.4760

www.screen-house.com

(If you believe you have a problem with the materials supplied for your application please call ScreenHouses Unlimited first! The manufacturer cannot respond to customer inquiries or phone messages. We are well equipped to step in and solve any issue you may have with your purchase.)

STEP 1: INSTALL MOUNTING CHANNELS

Between the guidelines given below and the drawing you received with your quotation you should have everything you need to assemble your unit. If you need clarification on any point of the assembly we will be glad to help. Before cutting anything, please lay out the material you have been given and understand how each piece is to be cut and placed, so that you know you have enough material to do the job. Always call before cutting if you are in doubt about anything.. Our hours of operation are posted on our WEB site for your convenience.

NOTE: When quoting a screen walls only system, we do our best to make the smartest use of materials in order to keep the pricing as reasonable as possible. Sometimes, the most efficient use of materials (due to the extrusions only being available in 16' long and 20' long standard lengths) will mean the end user will be required to butt splice certain screen enclosure profiles. Butt splicing will be the most common for top, bottom, and rear wall u-channels but can also sometimes include vertical framing members as long as they are in a u- channel

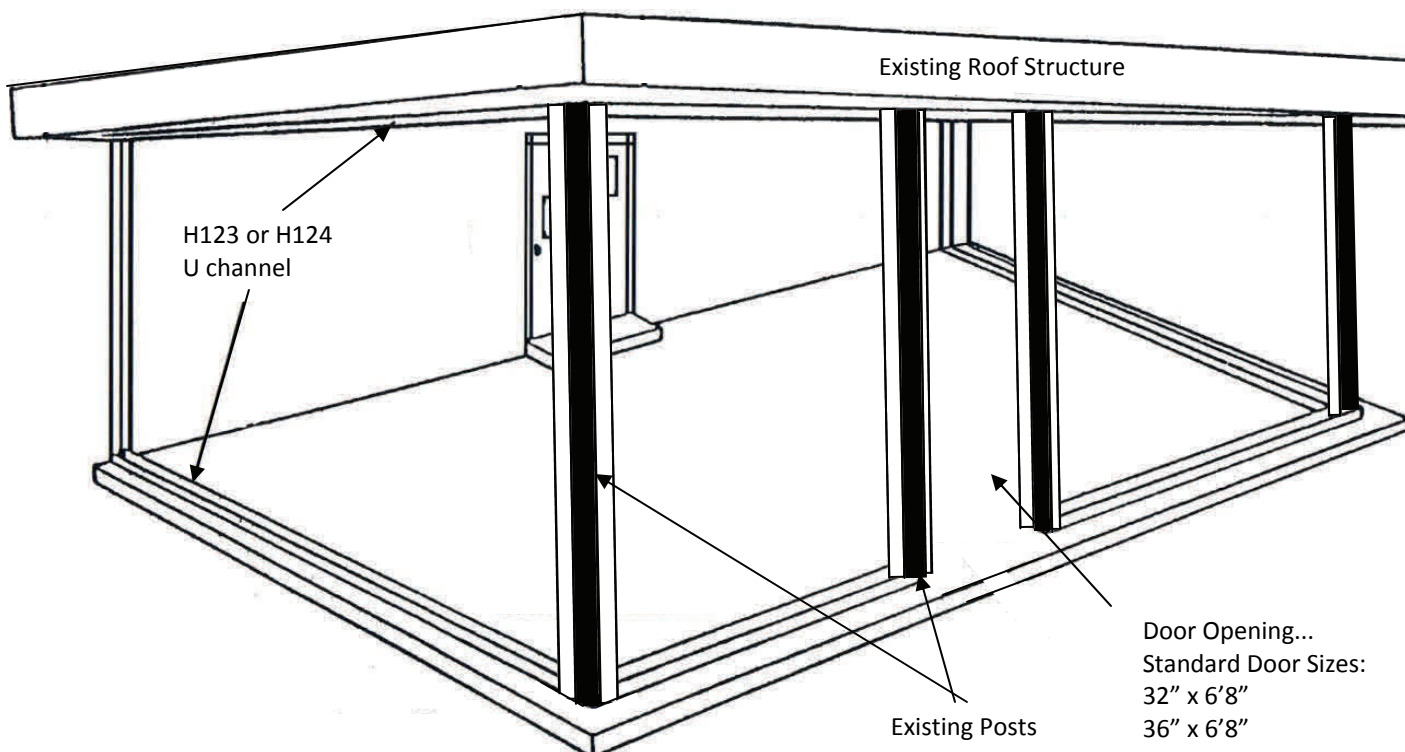
Install the H123 (1" X 2" U channel) to the floor, the underside of your existing roof-line and all vertical surfaces (house wall / existing posts). You can choose to miter cut the U channels where they meet at the corners, however the most common and easiest choice for installation is to install both top and bottom U channels running completely from wall to wall or post to post and then install the vertical U channels (on posts or house wall) between the top & bottom installation. Depending on the pitch of your existing roof line along the projection, we will, from time to time provide an H124 (2" X 2") U channel for the underside of the roof line along the projection. This will allow for more room to hide the cuts of all vertical mainframe extrusions inside the U channel.

In your hardware box you will find a roll(s) of 3/4" X 3/4" foam tape. You may choose to use this on the back of the vertical U channel installations in the case of an uneven or rough vertical surface, such as brick or step siding.

If you are mounting the U channel to concrete or brick, we would suggest using either Tapcon screws or drive anchors to secure the U channel to those surfaces. For all wood surface installation you can punch or drill a starter hole in the aluminum and use an appropriate size wood screw to secured the U channel. Though it is not necessary, you can, in order to waterproof the seal between U channel and floor surface, apply a bead of high quality silicone to the underside of the U channel prior to securing it to the cement or wood surface.

Please note that due to the many different types and styles of house walls, or cement pads or wood decks you will need to supply your own screws/fasteners to attach the H123 U-channel to your existing surfaces. It would be sufficient to space your screws or fasteners every 18" to 24" depending on the total length of the installation at hand.

****Everything "internal" to your kit is supplied - all else will need to purchased locally****



STEP 2: INSTALL VERTICAL MAINFRAMES

Cut and Install the H121 (1" X 2") mainframe in the U channel previously installed on the house wall or existing post. You will use the U channel as means of plumbing the 1x2 mainframe. Secure the H121 mainframe in H123 U channel using the supplied self tapping hex head Tek screws. Secure the mainframe with the Tek screws on both sides. Four (4) Tek screws per 8 ft. length on each side is sufficient.

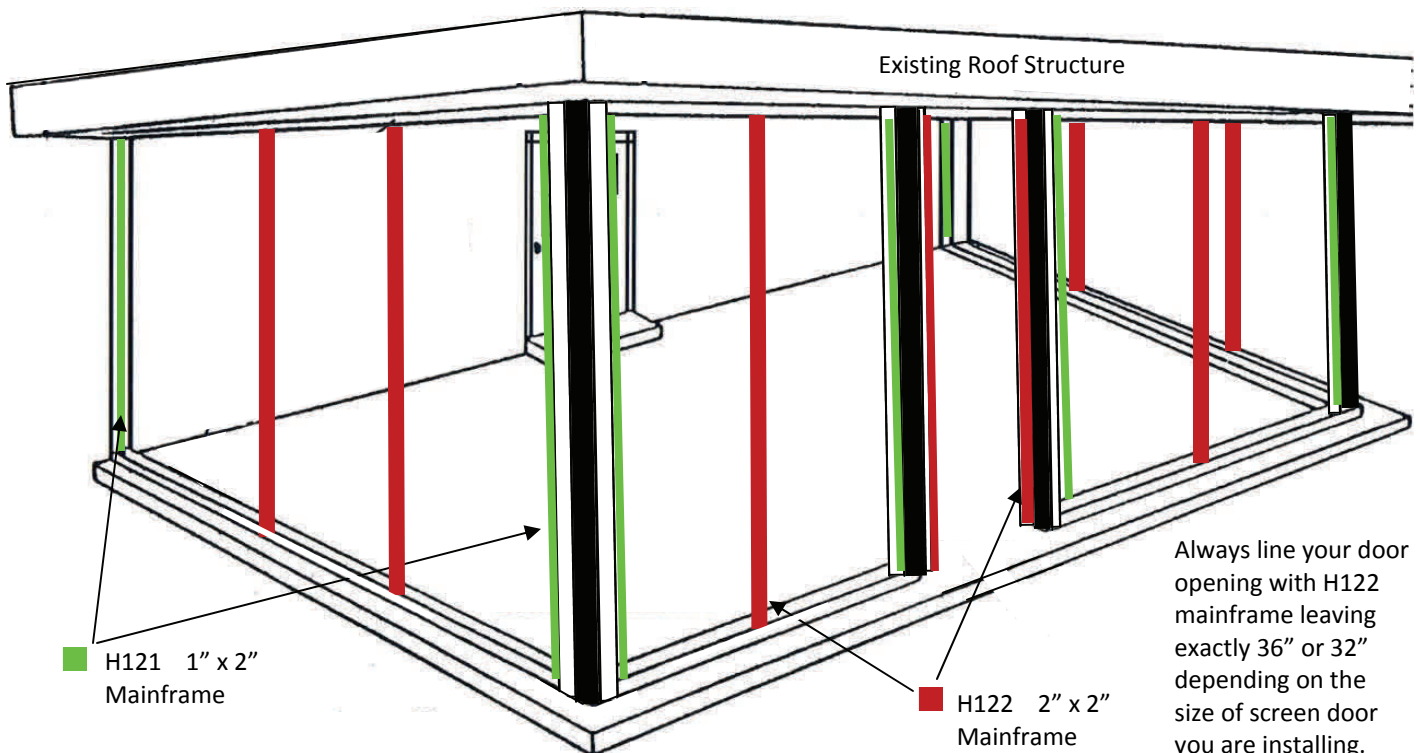
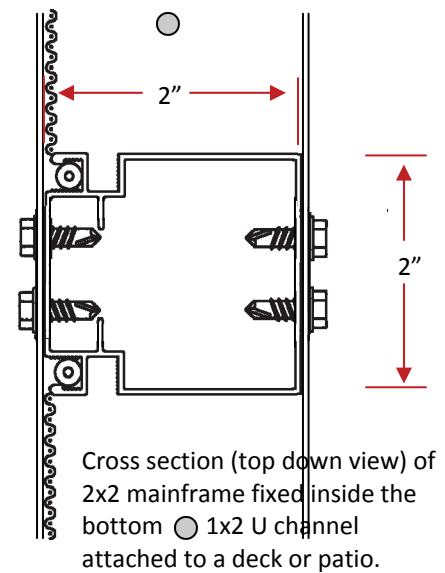
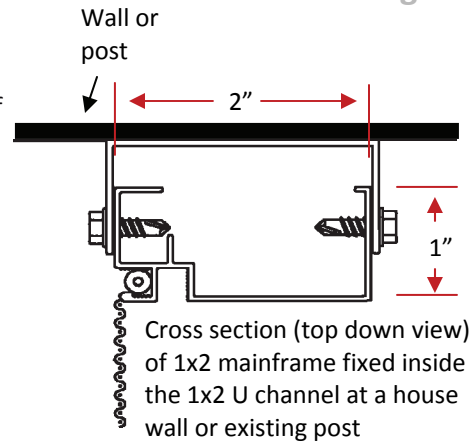
Note: Be sure not to place H121 all the way down into the U-Channel as you must leave the spline groove exposed for screening, as illustrated on the right.

Typically, the 1x2 mainframe will be used going up every existing vertical surface in your application (illustrated below in the 'green lines.' However it will depend on your application, since 2x2 mainframe can be used as well. It is attached the same way as the 1x2 mainframe. **Consult the drawing that came with your quotation, prior to purchase, to confirm which profile of mainframe is to be used against existing surfaces in your application.

Next install the H122 (2" X 2") vertical mainframes. You will space them apart based on the spacing indicated in the drawing that came with your quotation prior to purchase. **NOTE:** Spacing indicated in your drawing is post / house wall to centerline of vertical and centerline of vertical to vertical. You do not have to worry about being precise with this cut (length of vertical) since any small indiscretion will be hidden inside the top and bottom U channel. Additionally the spacing between verticals is flexible (1/2" to 1") as long as you do not exceed the width (-1") of the screening provided.

Secure the H122 in place, inside the top and bottom U channel, by using the self tapping hex head Tek screws. Secure both top and bottom and on both sides as illustrated on the right.

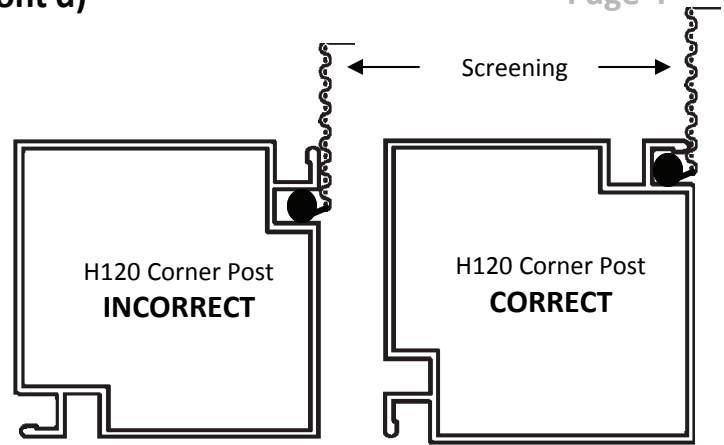
Finally, install H122 2" x 2" mainframes on either side of door opening, making sure they are plumb and have enough space between to accommodate the door to be installed. For example, if you have a 36" door you will need a 40" opening... install a 2" x 2" on either side, leaving exactly 36" for your door installation. Once again, refer to your drawing that came with your quotation, prior to purchase, to be sure of what you need to do for your application.



STEP 2: INSTALL VERTICAL MAINFRAMES (cont'd)

There will be applications that do not use existing posts for their screen wall installation. In such cases we supply the H120 (2" x 2") corner posts so that you can screen two walls that come together at 90 degrees. You will need to pay attention to the installation of the corner posts as they can be installed **upside down**, resulting in an improper screen and spline installation (the screen will pop out easily!)

Be sure your corner posts are installed **right side up** so that screen/spline is inserted into the lipped spline groove- *not* the kickplate groove as illustrated on the right.

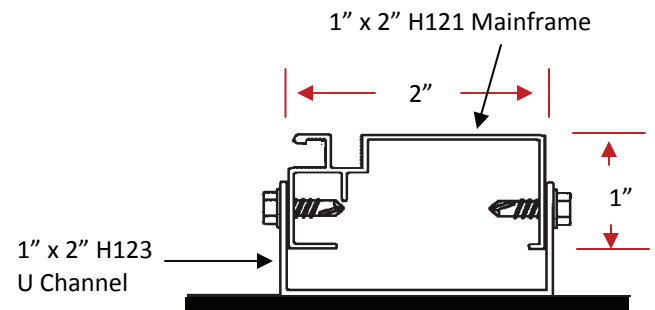


TIPS:

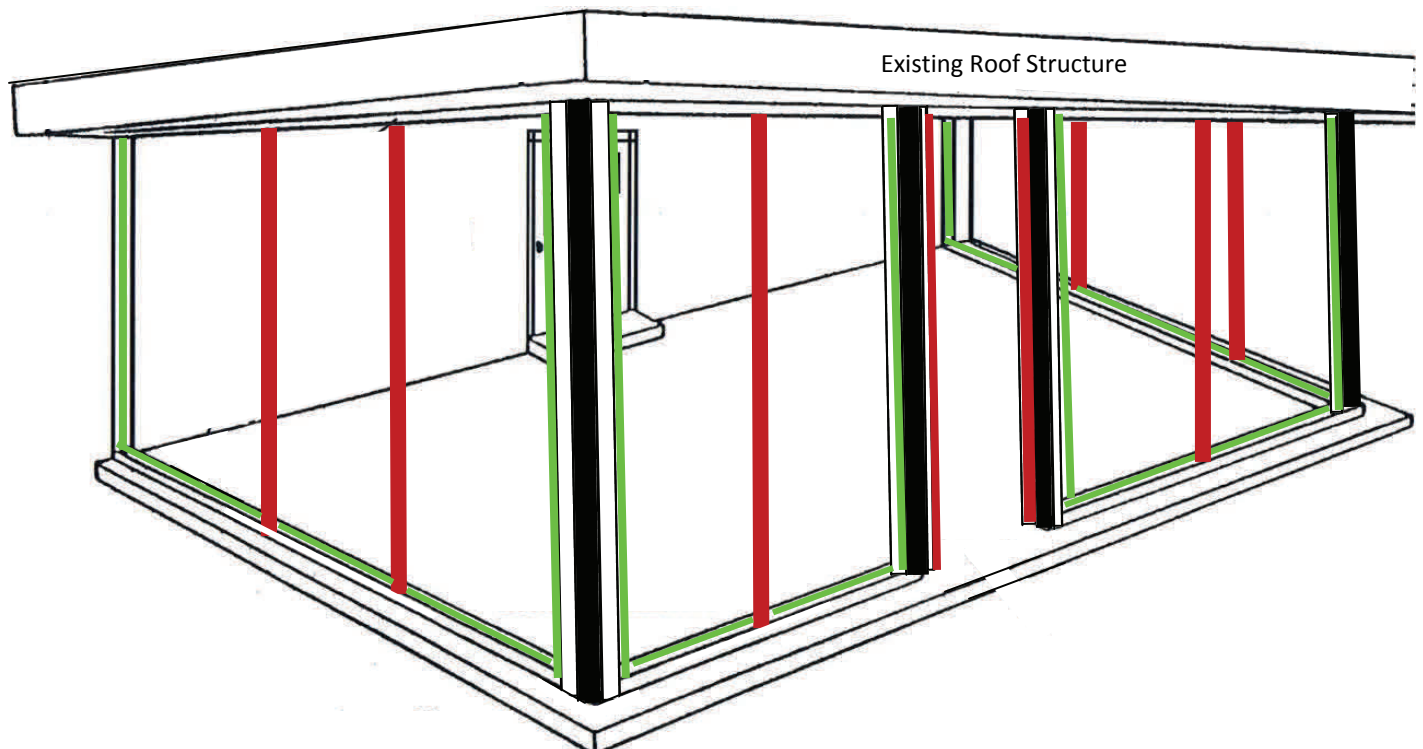
1. If you plan on putting your door in the first section against the house wall, or a post use H122 (2" X 2") instead of H121 (1" X 2") in the H 123 wall channel
2. There is no **bottom** U channel nor 1" x 2" mainframe in door openings.

STEP 3: INSTALL HORIZONTAL MAINFRAMES

Cut the H121 (1" X 2") mainframes to fit between the vertical framing members and install in bottom channels using the self tapping hex head screws provided. Be sure to not drop the H121 all the way down in the U-channel as you must leave the spline groove exposed for screening. Place at the proper level to keep spline groove exposed and then assemble with the self tapping hex head screws provided. You can see this illustrated to the right...

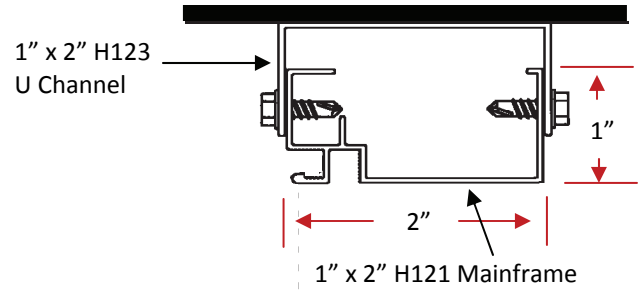


■ 1" x 2" H121 Mainframe ■ 2" x 2" H122 Mainframe

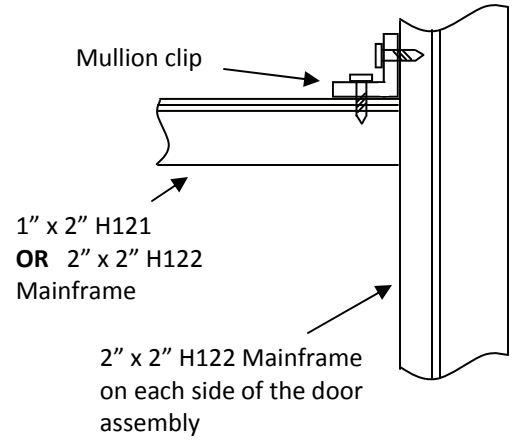


STEP 3: INSTALL HORIZONTAL MAINFRAMES (cont'd)

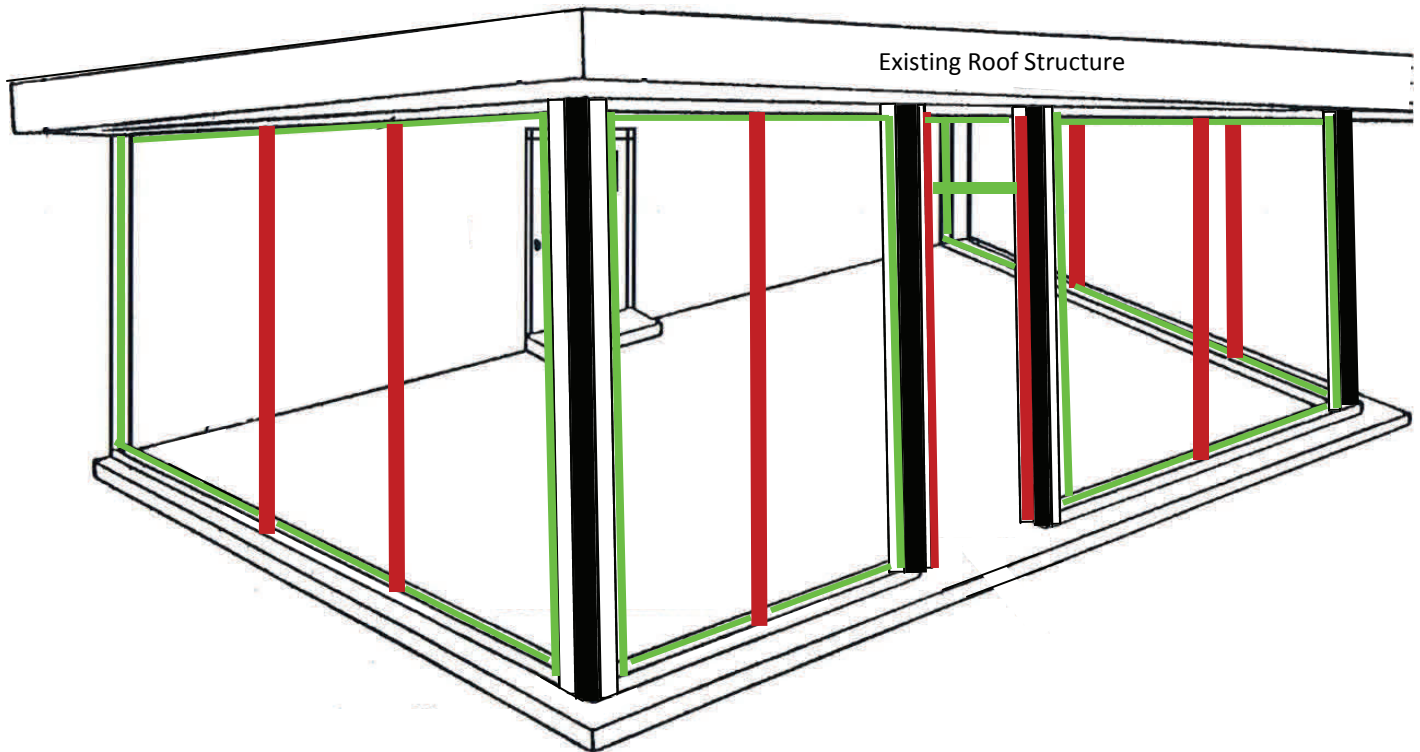
Cut the H121 (1" X 2") mainframes to fit between the vertical framing members and install in the top channels using the self tapping hex head screws provided. Be sure to not push the H121 all the way up in the U-channel as you must leave the spline groove exposed for screening. Place at the proper level to keep spline groove exposed and then assemble with the self tapping hex head screws provided. You can see this illustrated to the right...



Install 1" X 2" (H 121) at door head 80" from floor, or if your unit will have a chair rail and no kickplate, install 2" X 2" (H122) at door head 80" from floor. See illustration to the right.



■ 1" x 2" H121 Mainframe ■ 2" x 2" H122 Mainframe



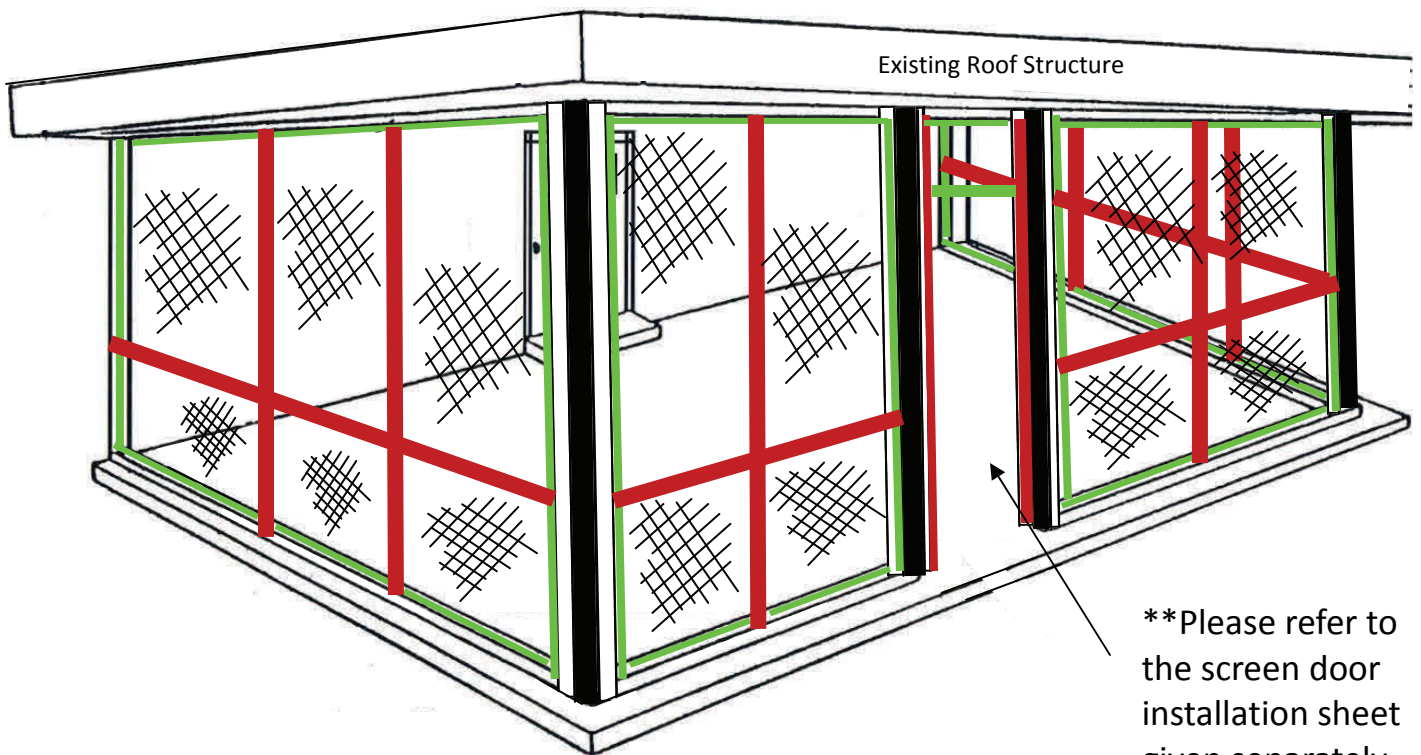
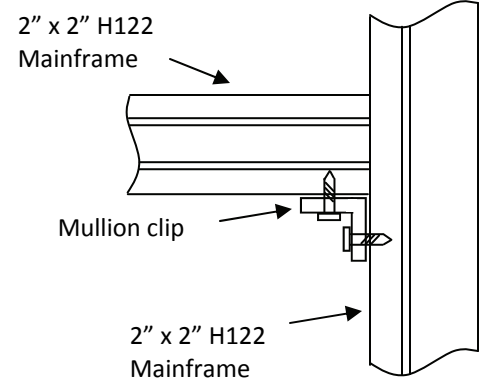
STEP 3: INSTALL HORIZONTAL MAINFRAMES (cont'd)

If you chose the kickplate option please go to next page

NO KICKPLATE OPTION

Cut and install the 2" X 2" (H 122) mainframe to fit between vertical H122' that you installed earlier. You may install the 2" x 2" horizontal at any height you wish. We would recommend sitting in your favorite outdoor chair, and install the 2" x 2" horizontal at a height that does not interfere with your sightline into your backyard.

Screw one of the mullion clips supplied in your kit to the 2" X 2" (H 122) vertical at the desired height. Place your cut piece of 2" X 2" (H 122) horizontally on top of this clip and screw the clip to the underside of the 2" X 2" (H122) on that one side. Then place a level on the 2" X 2" (H122) horizontal before installing the H126 clip on the other side, to insure your mullion is level. Spray mullion clip with touch up paint (if desired) before installing screen mesh later in these instructions.



STEP 4: FINAL STEP - NO KICKPLATE OPTION

INSTALL SCREENING

Using the supplied screen, spline and spline roller, screen both the top and bottom sections of each screen panel you have put together. We suggest rolling the spline and screening into the vertical spline grooves first, effectively screening from side to side first, pulling the screen taut but not overly so. Then finish off the section by rolling the spline and screen into the horizontal spline grooves. You will use 4 pieces of spline per section rather than one continuous piece of spline. Trim off excess screening by running a sharp blade (razor or box knife) along the back edge of the spline.

We supply standard 18 x 16 mesh count fiberglass screening with each kit. Depending on the size of the opening we may suggest an 18 x 14 mesh count fiberglass screening - a stronger screening for wider openings. **You will need to take extra care not to pull the screen too tight on the up & down dimension. You may warp the horizontal center bar off 'straight.'

STEP 3 A: INSTALL HORIZONTAL MAINFRAMES (cont'd)

KICKPLATE OPTION

Cut (or score and snap with a box knife) and install kickplate sections. Kickplate sections should be cut 3/8" longer than the opening width between vertical framing. Slide the kickplate into place (see second illustration on the right).

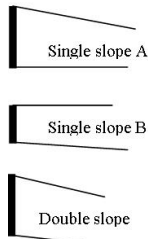
Cut and install the 1" X 2" (H 121) to fit between vertical framing members right above the kickplate.

Temporarily set H121 over kickplate and make sure the kickplate slides completely into the designed groove in the H121 (see the first illustration on the right). Once it is firmly seated, take a mullion clip and slide it up under the H121 to where it meets each vertical framing member. With a pen, lightly mark the 2" X 2" vertical framing member where the clip ends with a line. Then remove the 1" X 2" (H121) and screw the mullion clips (one per side) to the vertical 2" X 2" framing members using your mark as a guide for the bottom of the clip. As another reference, the top of the clip should be about 1/4" above the top of the kickplate.

To accommodate the slope of the ceiling, floor or both, you must keep the top of the kick plates even from one opening to the next. You can use a string, running the full width of the opening, to accomplish this.

The bottom of each kickplate section can be trimmed according to the slope of your application.

Note: Be mindful of the 'slope' of the H121. Your existing construction will likely look like one of the 3 examples shown here. For example in the 'single slope B' scenario you will need to decide whether or not you will choose to run the H121 on top of the kickplate parallel with the slope of your existing deck or patio or with the existing roof line.

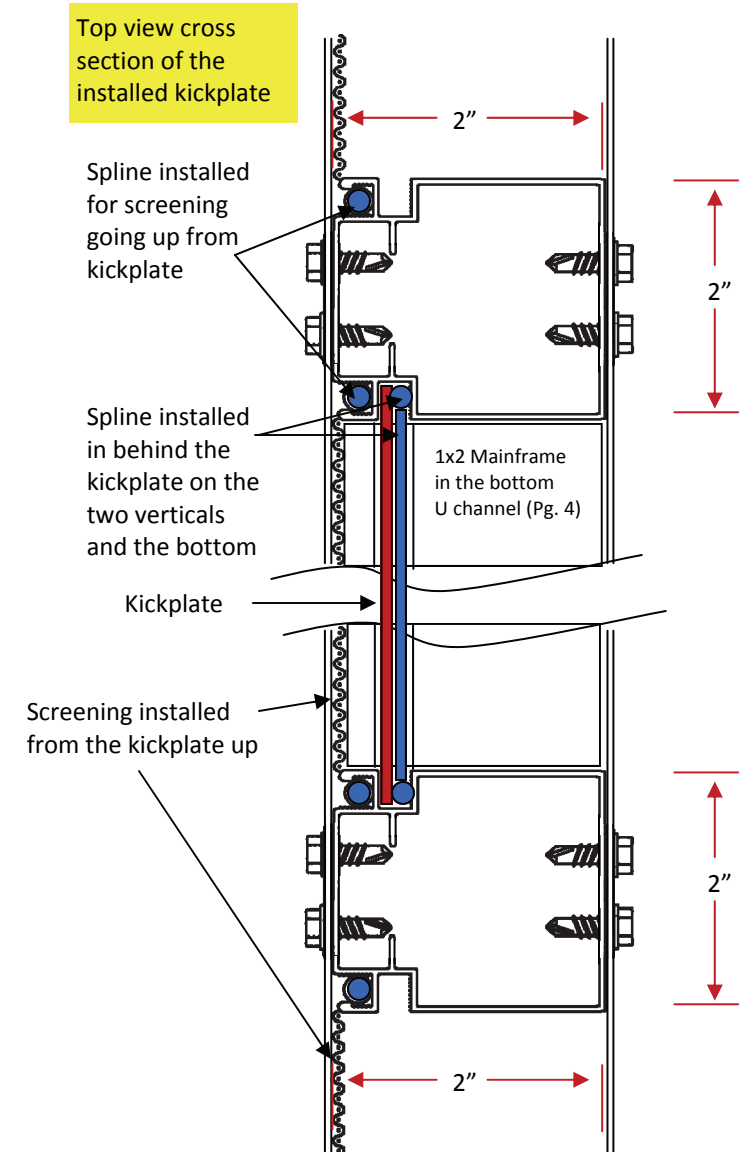
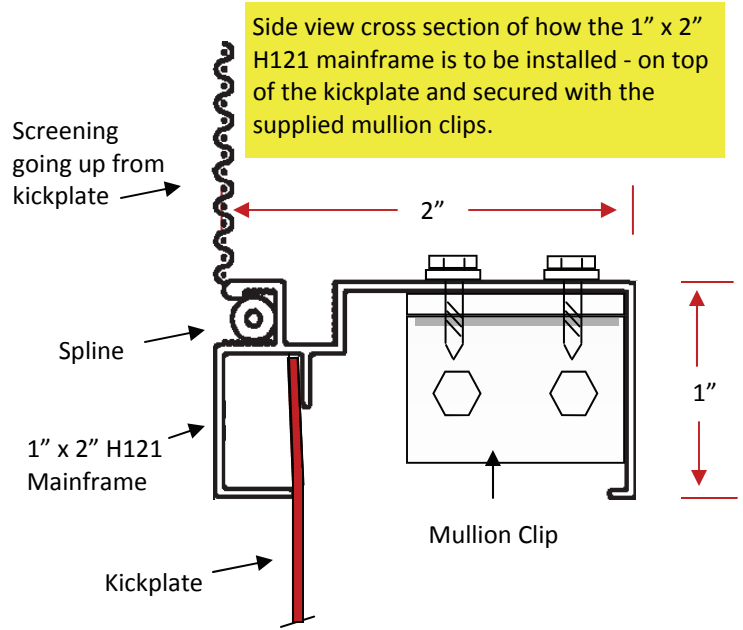


Still using the 'single slope B' example above, if you install the 1x2 mainframe on top of the kickplate to run parallel to your roof line, your kickplate will get slightly larger on the "outside" vertical measurement, as you move away from the house wall to the front of your installation. The alternative is to run the kickplate perfectly parallel to the mounting surface (deck or patio) and the top screen section "outside" vertical measurement, will increase slightly as you move away from the house wall to the front of your installation.

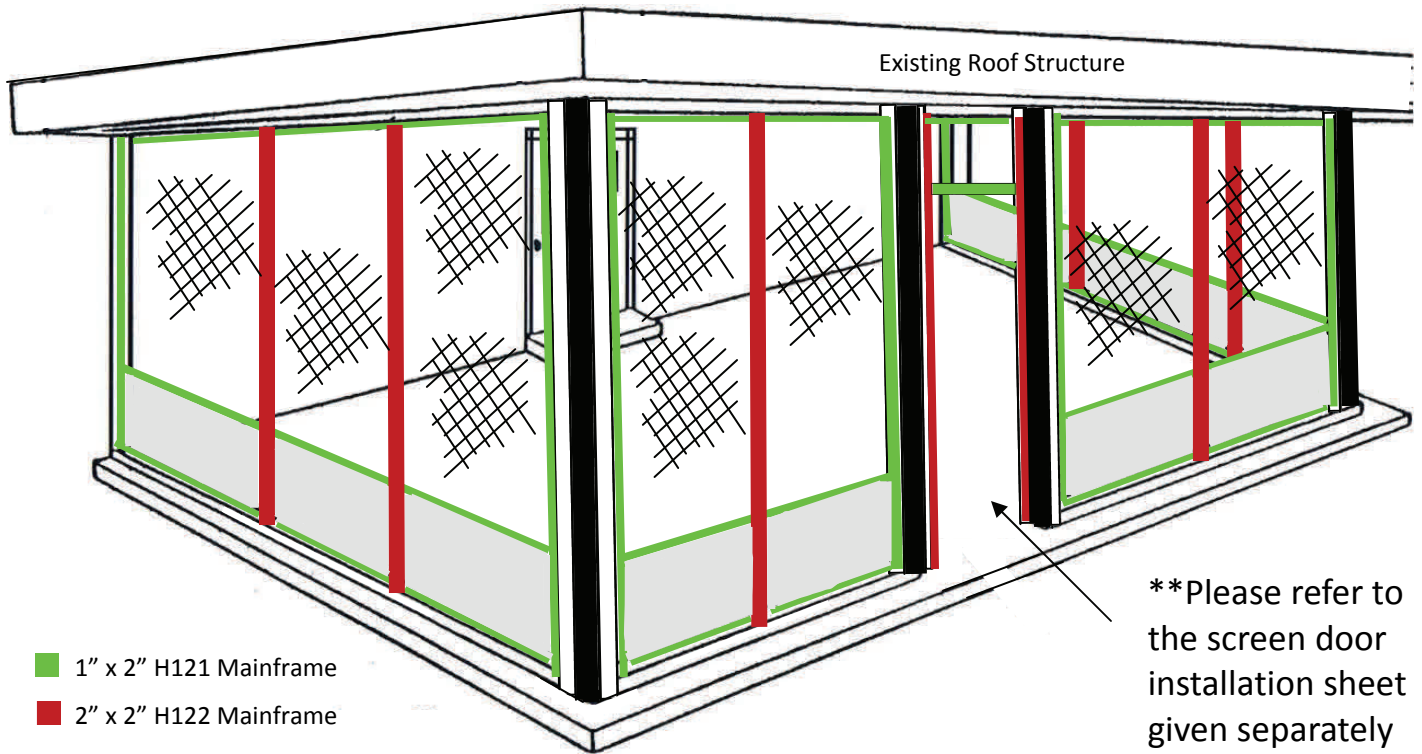
Place the 1" X 2" H121 mainframe on the mullion clips you have just installed and screw down (from the top of the H121) into the clips with the supplied self tapping hex head Tek screws.

Finish off each kickplate installation by securing a piece of spline on each side (vertically) and on the bottom 1x2 U channel kickplate grooves.

If you opted not to have a kickplate please go to the previous page



KICKPLATE OPTION



**Please refer to the screen door installation sheet given separately with your order.

STEP 4 A: FINAL STEP - KICKPLATE OPTION

INSTALL SCREENING

Using the supplied screen, spline and spline roller, screen both the top sections of each screen panel you have put together. We suggest rolling the spline and screening into the vertical spline grooves first, effectively screening from side to side first, pulling the screen taught but not overly so. Then finish off the section by rolling the spline and screen into the horizontal spline grooves. You will use 4 pieces of spline per section rather than one continuous piece of spline. Trim off excess screening by running a sharp blade (razor or box knife) along the back edge of the spline.

We supply standard 18 x 16 mesh count fiberglass screening with each kit. Depending on the size of the opening we may suggest an 18 x 14 mesh count fiberglass screening - a stronger screening for wider openings. **You will need to take extra care not to pull the screen too tight on the up & down dimension. You may warp the horizontal center bar off 'straight.'

****DISCLAIMER****

This document is intended as a 'guide' only. There are far too many variables within existing structures for us to address each and every one. As such this kit is very adaptable. Assembling this "materials supplied kit" will require patience & common sense. If you have any doubts about the action you should take we will gladly lend our expertise... please call us toll free.

ScreenHouses Unlimited will not be responsible for errors in cuts made to the material. If we can reasonably demonstrate that you had enough material to complete the job, you will need to purchase additional material. We will always work to get the material to you in the cheapest and fastest manner possible.

1.800.922.4760

(If you believe you have a problem with the materials supplied for your application please call ScreenHouses Unlimited first! The manufacturer cannot respond to customer inquiries or phone messages. We are well equipped to step in and solve any issue you may have with your purchase.)



Porch Screening Kit - Exploded Assembly View

