

Window Shutters

An easy and attractive way to dress up your windows

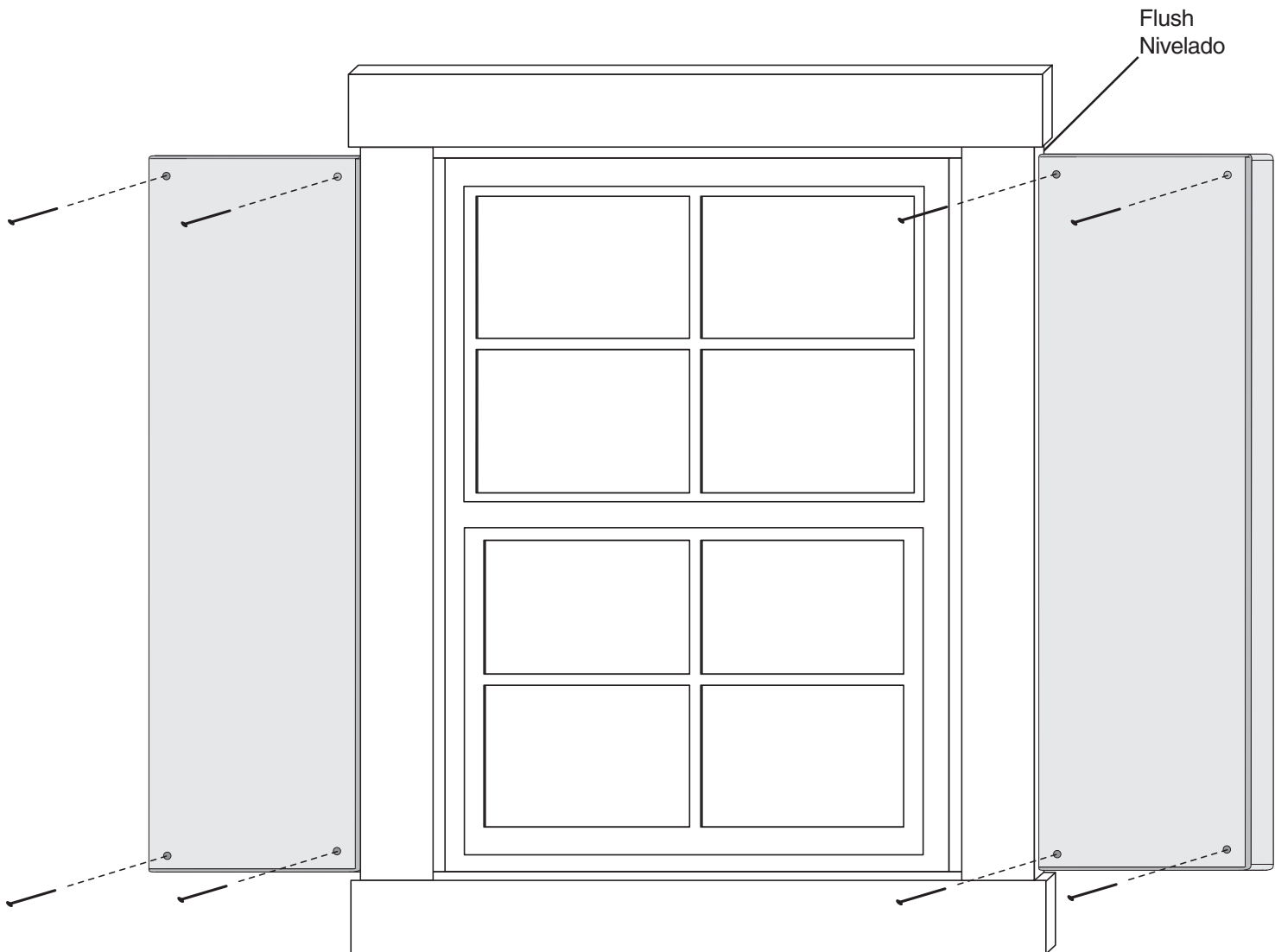
1-800-437-0784

Manufactured for Marco Wood Products

#16725

PARTS LIST

1 pair of shutters
8 mounting screws



1. Center shutters vertically against trim
1. Centro verticalmente contra moldura

2. Fasten with screws provided at pre-marked locator points.
DO NOT OVERTIGHTEN!
2. Abroche con tornillos proporcionados en puntos pre-
marcados de localizador
NO APRIETE DEMASIADO!

NOTE: The building needs to be painted per instructions and warranty before installing the shutters on the building. The shutters MUST be painted before installation per building specifications

NOTA: El edificio se debe pintar según instrucciones antes de instalar los postigos. Pinte los postigos antes de la instalación por especificaciones de edificio