

Small Square Window

LDR 01/12/05 CH

An easy and attractive way to give any wooden structure its own view on the world

1-800-437-0784

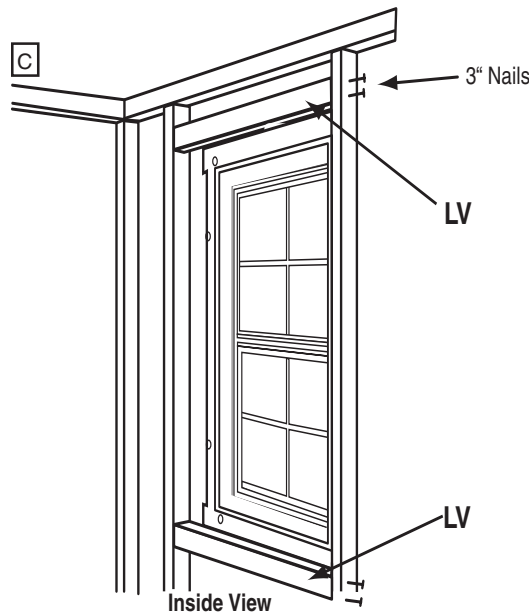
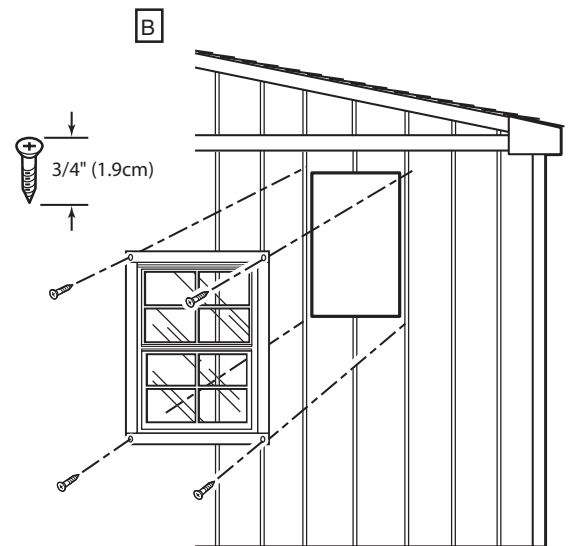
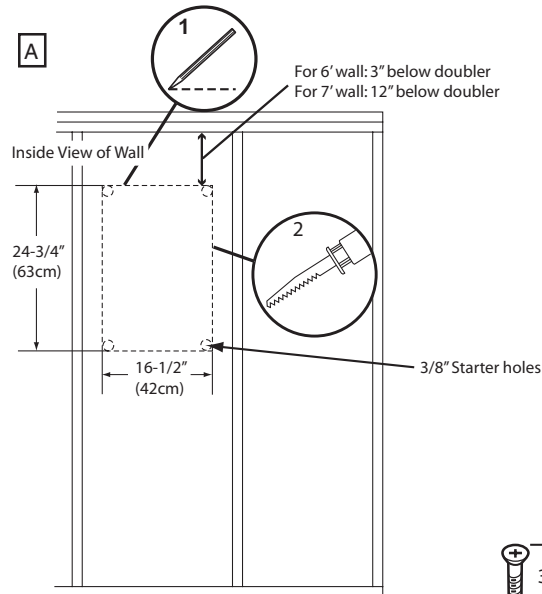
Manufactured for Marco Wood Products

#16614

PARTS LIST			
Part	Qty.	Description	Size
(LV)	2	Framing	2x3x22-1/2"
(BN)	2	Hor. Trim	1x3x22-1/8"
(BQ)	2	Ver. Trim	1x3x24-3/4"
	1	Window	
	1	Hardware Kit	
(4) 3/4" Screws; (24) Finish Nails; (8) 3" Nails			

1 Window Opening

1. Locate area to install window, making sure there are no studs or braces in the way.
2. Using template located on box, mark an opening 16-1/2" wide by 24-3/4" high using outside of dotted line (fig. A-1).
3. Drill 3/8" starter hole in corners. Cut opening according to marked line (fig. A-2).
4. Place framing (LV) at top and bottom of cutout flush with opening edges, nail through studs into framing ends.
5. Position window in opening from outside the building. Attach window using four 3/4" screws (fig. B).



2 Window & Trim Installation

2. Position and center vertical window trim (BQ) flush to mid-lip on the window frame. Secure with (6) 4d finish nails. Continue with the other side. Center trim pieces (BN) and attach with (6) 4d finish nails per piece.

Note that the horizontal trim (BN) piece overhangs vertical piece (BQ).

Notice: Caulk window trim (with a quality, paintable exterior grade caulk) along sides and across top and bottom.

