

LARGE ROUND TOP WINDOW KIT

An easy and attractive way to give any wooden structure its own view on the world

I.D.	Description	Size	CM	Qty.
---	Window			1
DR	Vertical Trim	1 x 3 x 19-5/8"	49.8cm	2
DX	Horizontal Trim	1 x 3 x 27-3/4"	70.5cm	1
LV	Header / Sill	2 x 3 x 22-1/2"	57 cm	2
---	Top Radius Trim	3/4 x 27-1/4" Dia.	70cm	1
---	Cardboard Template cut out			1
(11) 3/4" Screws; (12) Finish Nails; (8) 3" Nails				

1-800-437-0784

#16694

LDR 01/12/05

1. On inside of building locate Window opening to be between 24" on center Studs.

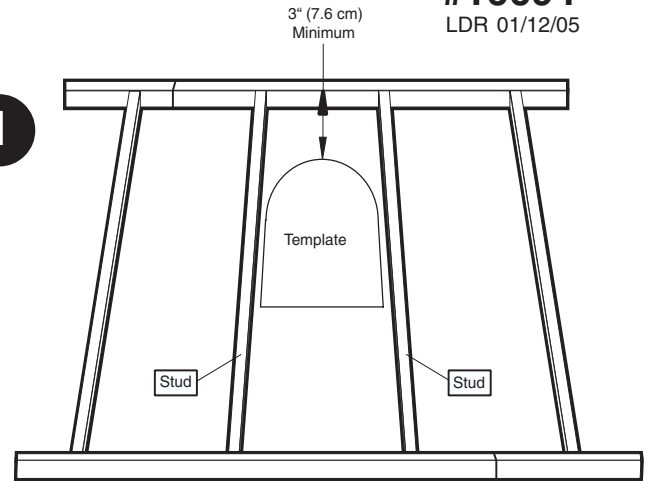
Cut out Template from the printed packaging. Place Template a minimum of 3" down from bottom of Top Plate and trace outline.

2A. Drill three starter holes, two at bottom corners and one at top. Once holes are drilled cut along the outline you traced on your Wall with a Key Hole Saw or a Sabre Saw. If cut out lines are too close to the Studs for your cutting tool, place the Template on the outside of the building and use the three holes to line up the Template bottom and top and trace outline again as shown in 2B. Now you will be able to cut from the outside with no obstructions.

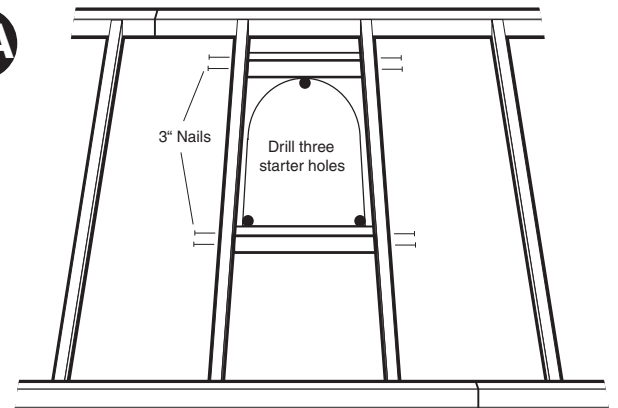
Mount LV above and below the window flush to the opening. Secure with two 3" nails in each end.

3. Place Window in the cut out opening and attach with five 3/4" screws where shown.

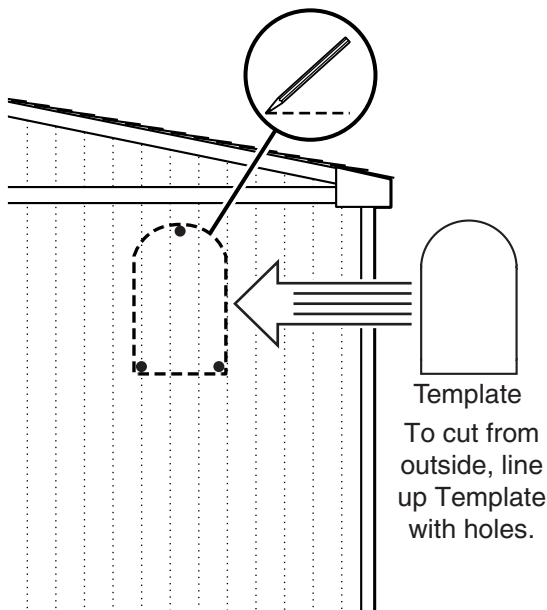
1



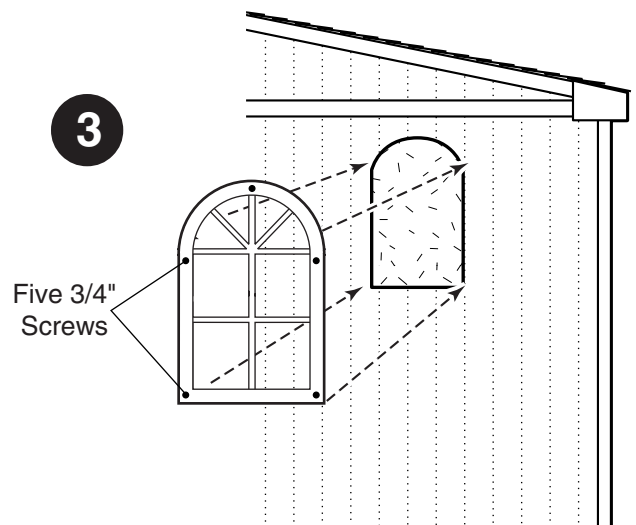
2A



2B



3



4A. Place the Half Circle Trim over top of the Window flange and center around edges of Window. Nail at bottom edges into Stud with 1-1/2" Finish Nails.

4B. On inside use four 3/4" screws to secure top of Window. To make job easier have someone hold Trim from the outside.

5. Place two pieces (**DR**) on each side of Window and flush to Half Circle Trim and nail with four 1-1/2" Finish Nails.

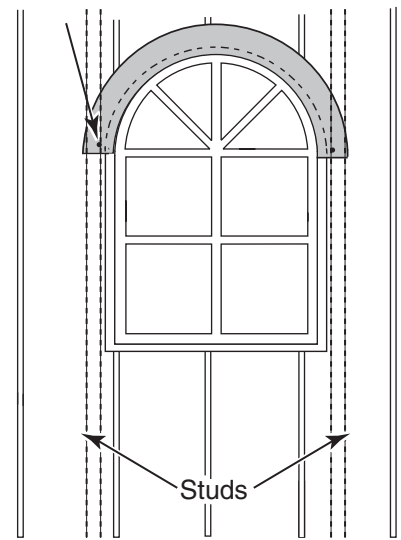
6A. Place one piece (**DX**) centered at bottom and nail with two 1-1/2" Finish nails at each end into Stud. Bottom trim will overhang the side trim.

6B. On inside use two 3/4" screws to secure middle of (**DX**) Horizontal Trim.

Note: After installing Window, caulk along sides and over curved top where Window contacts the building.

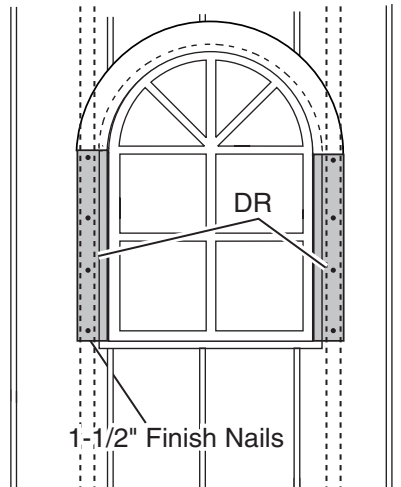
4A

1-1/2" Finish nails at bottom



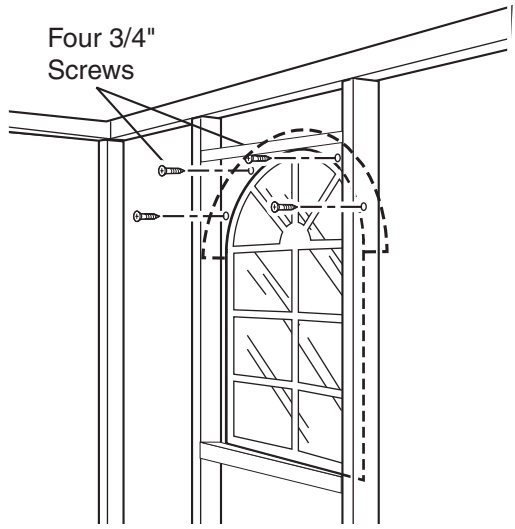
OUTSIDE VIEW

5



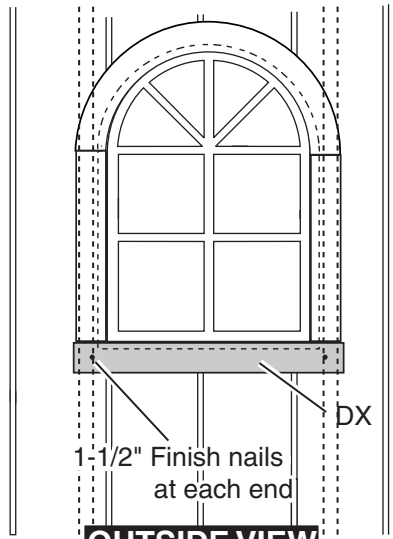
OUTSIDE VIEW

4B



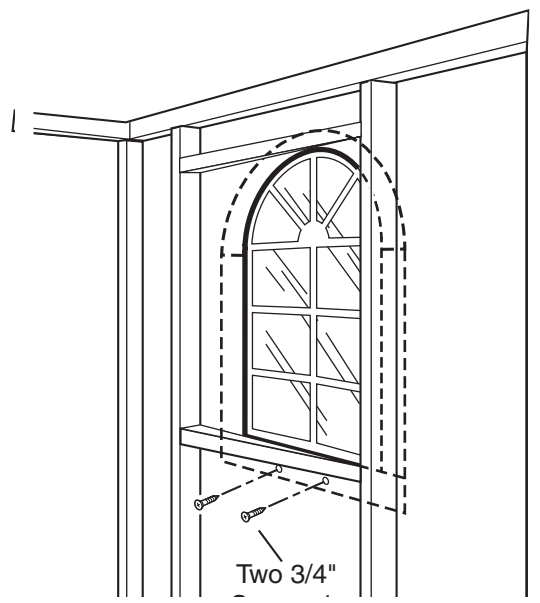
INSIDE VIEW

6A



OUTSIDE VIEW

6B



INSIDE VIEW