

Flower Box

LDR 10/27/04 CH

An easy and attractive way to give any wooden structure your own decorative appeal

1-800-437-0784

Manufactured for Marco Wood Products

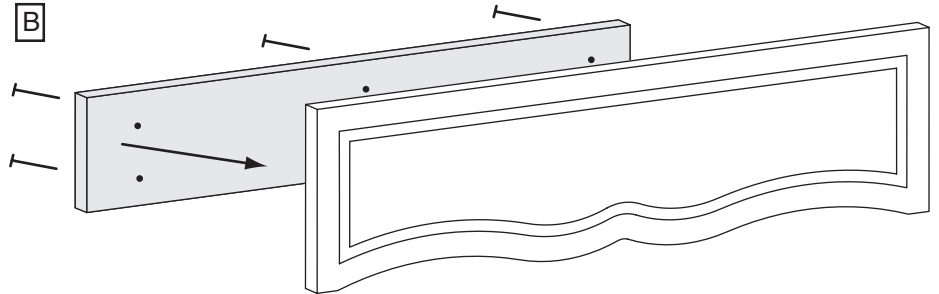
#16676

PARTS LIST		
Part	Qty.	Description
(A)	1	Pre-Assembly
(B)	1	Front
(C)	1	Face
(D)	1	Nailer
(E)	1	Liner
	1	Hardware Kit

ASSEMBLY INSTRUCTIONS:

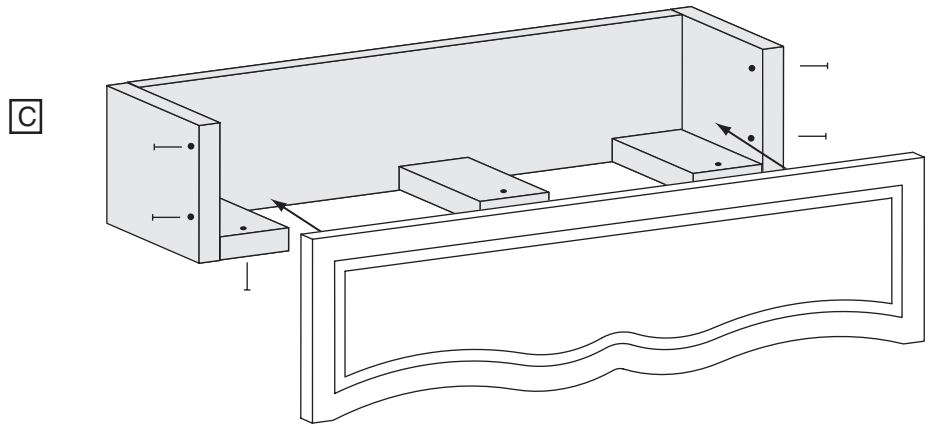
1. Select flower box face orientation as outlined in Figure A. below.

2. Center the front, B, on the back of the face and attach using six 1-1/4" screws. Attach as shown in Figure B using pre-drilled holes.

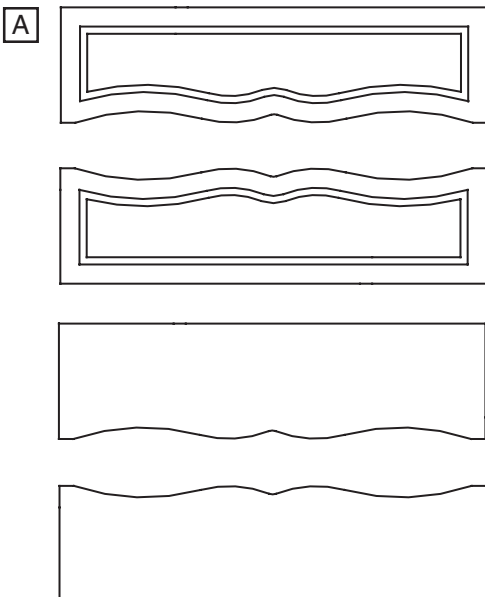


ASSEMBLY INSTRUCTIONS:

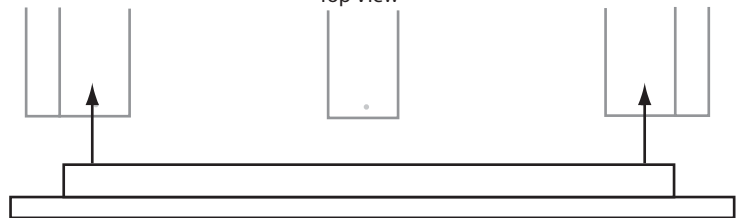
3. Using seven 2" screws attach the face and front of box to the rest as shown in Figure C.



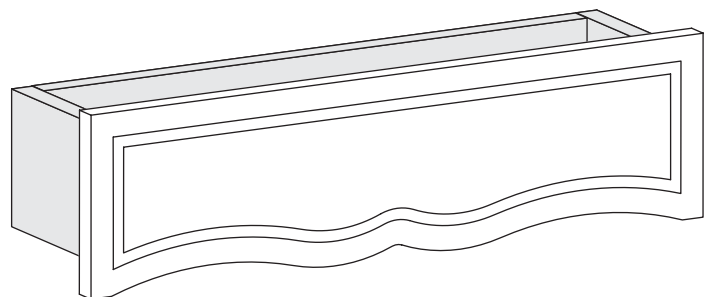
Select Flower Box Face Orientation



Top View



D



Flower Box

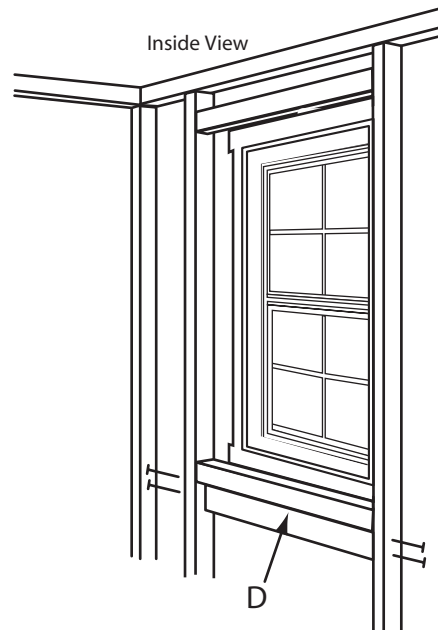
An easy and attractive way to give any wooden structure your own decorative appeal

1-800-437-0784

MOUNTING INSIDE:

1. Install 2x3x22-1/2", part D, to the inside of shed directly under the window framing.
2. Using four 3" nails secure the 2x3 between the studs by nailing through the studs and into the ends of the board as shown in figure E.

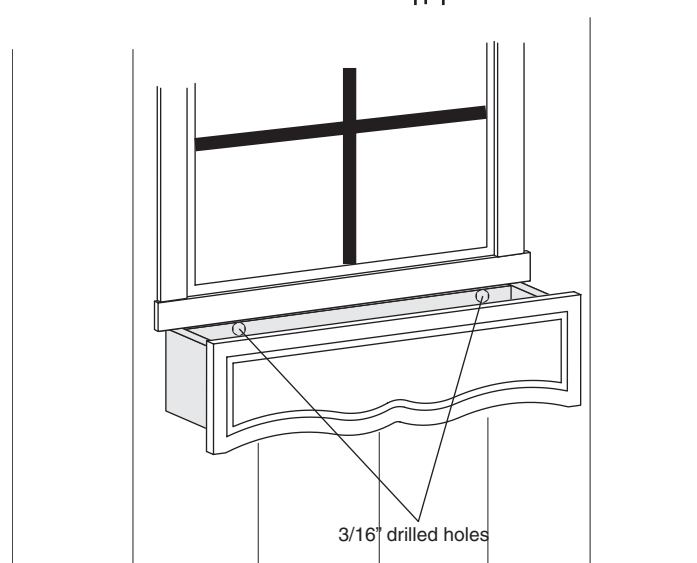
E



MOUNTING OUTSIDE:

1. Center flower box under window flush to the bottom of the window trim.
2. Using a 3/16" drill bit, drill two holes at a slight downward angle where shown in figure F.

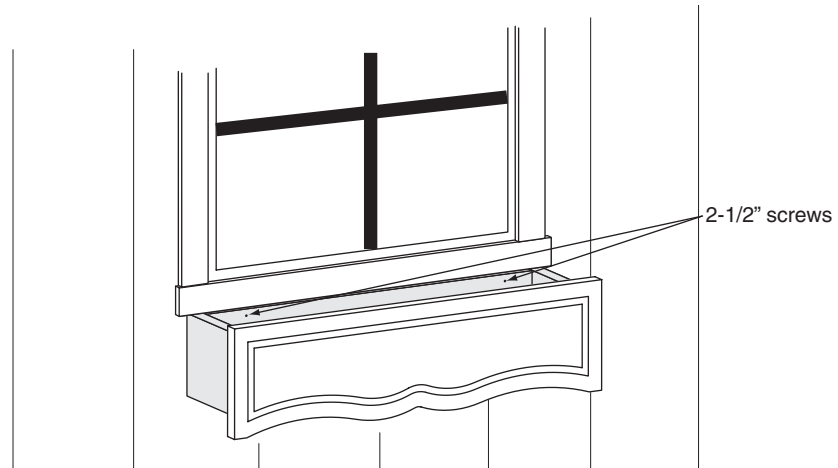
F



MOUNTING OUTSIDE:

1. Using two 2-1/2" screws, fasten the flowerbox to the shed through the pre-drilled holes.
2. Insert liner, fill with dirt, flowers and enjoy!

G



NOTE: Make sure to follow all paint and caulk rules associated with the building.