



Series 2500

High quality Aluminum Door Canopy



TO ORDER:

- **STEP #1** - Choose the size of your door canopy
- **STEP #2** - Choose the color of your door canopy - Available in over 13 color choices
- **STEP #3** - Information & Orders Call **1-800-922-4760**

All Orders are:

- Partially Assembled, ready to install
- **Delivery Included** - UPS PREPAID
- Delivered within 10 - 14 Days
- All Pricing is in US\$

- Use our door canopies to shelter your doorway from the elements
- No fumbling for keys in bad weather
- Aluminum door canopies have a built-in front rain gutter
- 2-coat baked on enamel finish for lasting performance
- Heavy-duty extruded mill-finish framework with reinforced center mullions on all sizes
- Vented side panels fully enclose canopy while allowing upward winds to escape
- Shipped partially assembled with all necessary hardware for quick and easy installation - complete instructions included
- Orders are not returnable so please verify all information before ordering and take all measurements twice!
- Available in [13 colors](#).
- Side Wings are sold separately (see last row of pricing table below)
- Available in Standard Mount (13" requirement above door) or LOW Mount (6" above door at no extra cost)
- Your aluminum door canopy is made to the inch. Measure the size you **need**. If it falls between widths on the pricing table simply price it out to the next highest price level. **Get the size you need!**
- Side wings for the aluminum door canopy are optional
- Oversized door canopies are available from 85" to 180". Please call for pricing of these items **1.800.922.4760**

Series 2500 Aluminum Door Canopies

	Model #4	Model #5	Model #6	Model #7	Model #8	Model #9	Model #10
Projection	20"	26"	32"	37"	44"	50"	55"
Drop	12"	13"	15"	16"	18"	20"	21"
Frame Width	\$US	\$US	\$US	\$US	\$US	\$US	\$US
24"-36"	\$135.85	\$140.60	\$145.35	\$150.10	\$172.90	\$200.45	\$228.00
40"	\$158.65	\$163.40	\$168.15	\$172.90	\$194.75	\$222.30	\$250.80
48"	\$169.10	\$173.85	\$178.60	\$183.35	\$217.55	\$244.15	\$272.65
54"	\$180.50	\$185.25	\$190.00	\$194.75	\$239.40	\$267.90	\$294.50
60"	\$191.90	\$196.65	\$201.40	\$206.15	\$261.25	\$289.75	\$317.30
66"	\$203.30	\$208.05	\$212.80	\$217.55	\$283.10	\$311.60	\$339.15
72"	\$236.55	\$241.30	\$246.05	\$250.80	\$306.85	\$333.45	\$361.00
78"	\$258.40	\$263.15	\$267.90	\$272.65	\$328.70	\$356.25	\$383.80
84"	\$280.25	\$285.00	\$289.75	\$294.50	\$339.15	\$367.65	\$394.25
Optional Side-wings (when purchased with awnings)							
	\$37.00	\$48.00	\$58.00	\$69.00	\$79.00	\$90.00	\$100.00



Series 2700

**High quality
Fabric Door
Canopy**



- A door canopy will shelter your doorway from the elements
- No fumbling for keys in bad weather
- Sturdy and built to last
- Bronzed aluminum framework for beauty and strength
- Shipped partially assembled with all necessary hardware for quick and easy installation - complete instructions included
- Orders are not returnable so please verify all information before ordering and take all measurements twice!
- Available in 45 fabric choices
- These units are to be used with common sense in snow load areas. They are not designed to handle snow loads.
- Available in Standard Mount which requires 13" above door
- Your awning is made to the inch. Measure the size you **need**. If it falls between widths on the pricing table simply price it out to the next highest price level.
Get the size you need!

TO ORDER:

- **STEP #1** - Choose the size of your door canopy
- **STEP #2** - Choose the color of your door canopy - Available in over 50 fabric choices
- **STEP #3** - Information & Orders Call **1-800-922-4760**

All Orders are:

- Partially Assembled, ready to install
- **Delivery Included** - UPS PREPAID
- Delivered within 10 - 14 Days
- All Pricing is in US\$



Oversized Awnings are available from 85" to 120". Please call for pricing.

Series 2700 Fabric Door Canopies

	Model #4	Model #5	Model #6	Model #7	Model #8
Projection	24"	30"	36"	41"	47"
Drop	12"	13"	15"	17"	19"
Frame Width	\$US	\$US	\$US	\$US	\$US
24"-36"	\$180.50	\$185.25	\$190.00	\$194.75	\$222.30
40"	\$191.90	\$196.65	\$201.40	\$206.15	\$233.70
46"	\$203.30	\$208.05	\$212.80	\$217.55	\$244.15
54"	\$213.75	\$218.50	\$223.25	\$228.00	\$256.50
60"	\$225.15	\$229.90	\$234.65	\$239.40	\$267.90
66"	\$236.55	\$241.30	\$246.05	\$250.80	\$278.35
72"	\$247.00	\$251.75	\$256.50	\$261.25	\$289.75
78"	\$258.40	\$263.15	\$267.90	\$272.65	\$300.20
84"	\$268.85	\$273.60	\$278.35	\$283.10	\$311.60



Series 2500 Aluminum Door Canopy



2500 without Sidewings

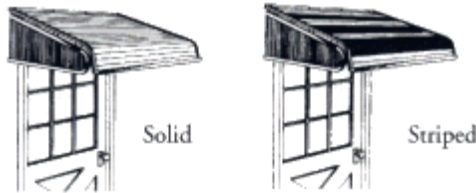
Step 1: Use chart below, choose the PROJECTION that best suits your needs. If you are mounting over an out-swinging door, choose at least a Model 7.

Step 2: Measure outside of door casing - edge to edge. Add at least 3"-5" on each side of door for proper appearance. Make certain that any light fixtures are not in the way of installation.

Step - 3 All canopies will be shipped with Support Arms only unless **OPTIONAL SIDEWINGS** are ordered.

- If you use support arms only, you will require 6" of mounting space over the door.
- If you use side wings, you have 2 height choices...
 - a. **STANDARD height** above the door is 13" (B) or...
 - b. If you do not have sufficient height then you can choose a **LOW PROFILE** which only requires 6" above the door (B).

Note: Special Orders in Custom widths up to 180", in one piece, in 1" increments are available. **Call (800) 922-4760 for pricing on special sizes.**



Step-4 Color and Pattern Choices:

- Select color & pattern that best compliments your home, from our selection.
1. Canopies are available in solid or striped pattern (No additional cost).
 2. Sides are available in solid color only.
 3. Undersides of all aluminum canopies are white only.

Canopy Model #	4	5	6	7	8	9	10
Projection	20"	26"	32"	37"	44"	50"	55"
Standard Sides require 13" mounting Space (B)							
Drop Approx.	12"	13"	15"	16"	18"	20"	21"
Low Mount Sides require 6" mounting Space (B)							
Drop Approx.	10"	11"	12"	12"	13"	13"	14"

Obtaining necessary permits is the sole responsibility of purchaser. Customers agree to hold ScreenHouses Unlimited and manufacturer free of any liability for improper installation, maintenance and repair.



We accept VISA, MasterCard and PayPal payments **OR** get a 5% discount by sending a Certified Check. Please note special or custom orders not returnable.

Series 2700 Fabric Door Canopy

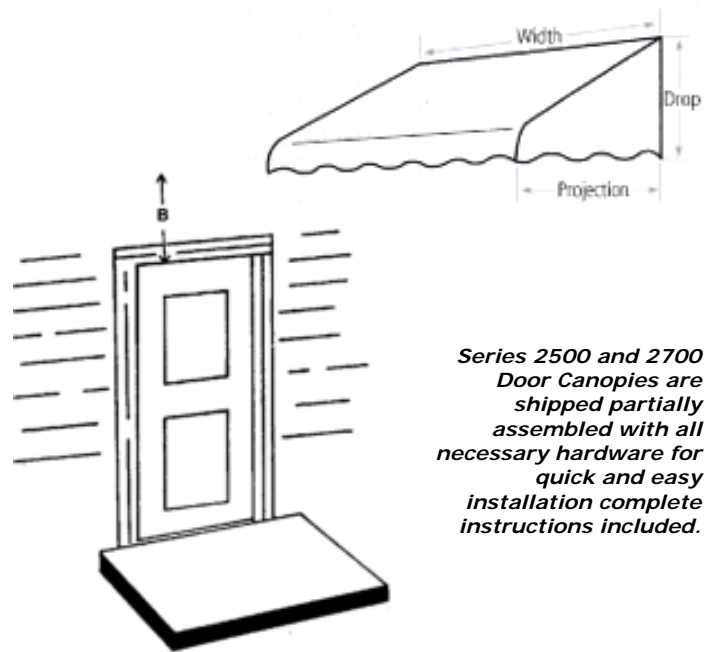
Step - 1 Use chart below, Choose the PROJECTION that best suits your needs. If you are mounting over an out-swinging door, then choose at least a Model 7.

Step - 2 Measure outside of door casing - edge to edge. Add at least 3" to 5" on each side of door for proper appearance. Make certain that any light fixtures are not in the way of installation.

Step - 3 Measure from the top of the door (B) to determine available space for mounting. The fabric door canopy is made to require a **STANDARD height** above the door of 13" (B)

Note: Special Orders in Custom widths up to 120", in one piece, in 1" increments are available. **Call (800) 922-4760 for pricing on special sizes.**

Canopy Model #	4	5	6	7	8
Projection	24"	30"	36"	41"	47"
Standard Sides require 13" mounting Space (B)					
Drop Approx.	12"	13"	15"	17"	19"



Series 2500 and 2700 Door Canopies are shipped partially assembled with all necessary hardware for quick and easy installation complete instructions included.

**All Prices in US\$ — FREE Delivery in continental USA
No hidden costs — No handling fees — No silly fees**

**For Information or to order
CALL (800) 922-4760**